

Merkt.

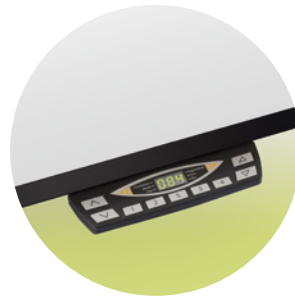
Making furniture innovative



Table System
1100/1200.

M1100/1200 – 1 System, 3 Elevation Techniques

Perfect technology meets classic, elegant design: With the M1100/1200 series Merkt has redefined the highly flexible, multi-purpose workstation. One factor that sets this system apart is the elegance it offers while ensuring high stability. Flexibility is another outstanding feature: with its low-noise and rapid electric height adjustment the M1100/1200 more than meets all demands for high user-friendliness and convincing ergonomics. It takes just a few seconds to transform the workstation from a sitting to standing use even when the table top is carrying a heavy load (up to 70kg). Safety devices ensure that this process is safe and reliable, high-grade electric components ensure that the system operates without hitches and at a low cost.



Manual height adjustment covers an adjustment range from 650 to 850 mm in 20 mm increments by means of grid-based locking.

Hand crank operation offers infinite adjustment ranging from 680 mm to 1180 mm (single telescope). Additional loading up to 25 kg is possible.

Electrical height adjustment offers a range between 650 and 1300 mm (optionally with a 500mm range). The elevation is performed using two extremely quiet electric motors. Operation is via a control positioned on the front edge of the table top.

If required, a steering module with storage function is also available, which calls up the working heights of various people at the touch of a button, and makes the adjustment automatically. Up to four work settings can be pre-programmed.

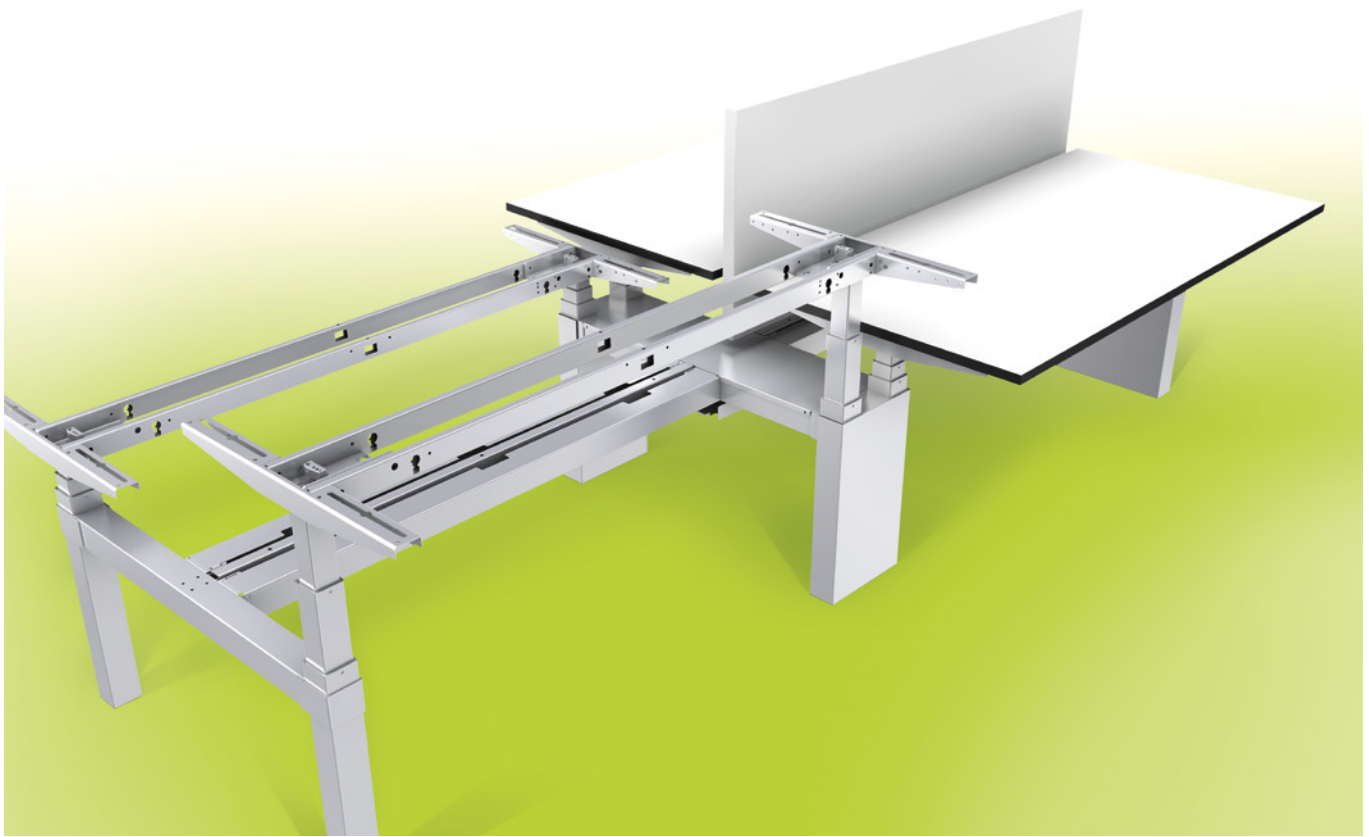


M1200 table system with rectangular legs



M1100 table system with square legs

- ① A blend of stability and design. There are no cross connections to spoil the classic elegance of the M1100 contours.
- ② Guides Newly developed guides from highly durable plastic, which are easy to adjust guarantee enduring stability.
- ③ Finish Frames come with a high-quality powder coating in a wide choice of colors.
- ④ Legs The design can be varied to suit customer requirements.



The M1100/1200 table system allows you to adapt the tables to even the most complex office scenarios. Bench solutions including vanity screens and ganging are also possible.

Konrad Merkt GmbH
Max-Planck-Straße 30
78549 Spaichingen
Germany
T. +49 7424/7008-0
F. +49 7424/7008-33
info@merkt.de
www.merkt.de