

Merkt.

Making furniture innovative

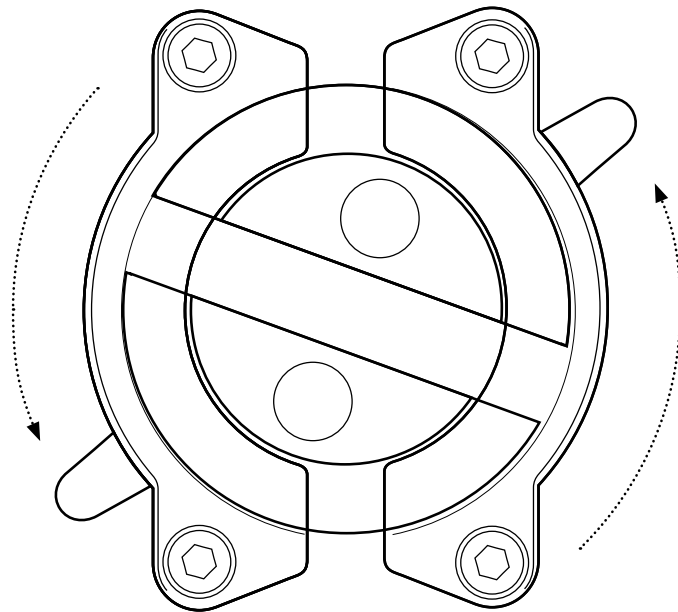
Desktop Management.



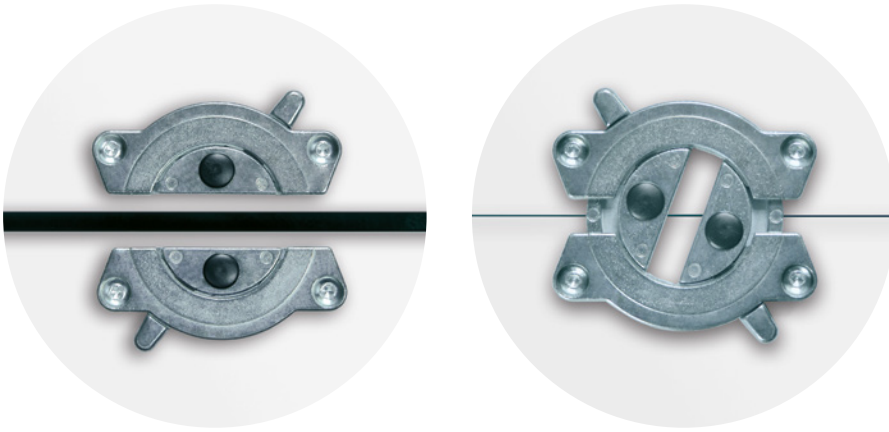
Connecting Modules for Desktops.

Simple things often provide the best solution to tasks. This is certainly the case when it comes to securing, aligning and adjusting desktops. For this reason Merkt has designed a series of intelligent, easy-to-mount and cost-effective modules for all desktop management system.

The TV100 desktop connector is one of them. Its simple, sturdy construction means it can be used anywhere. No special tools are required to mount it and given that it is absolutely symmetrical it can be used with any configuration of the modules. The result is a high degree of user flexibility.



Original size



The TV100 desktop connector connects and links desktops and other pieces of furniture without tools; it is extremely simple and reliable.

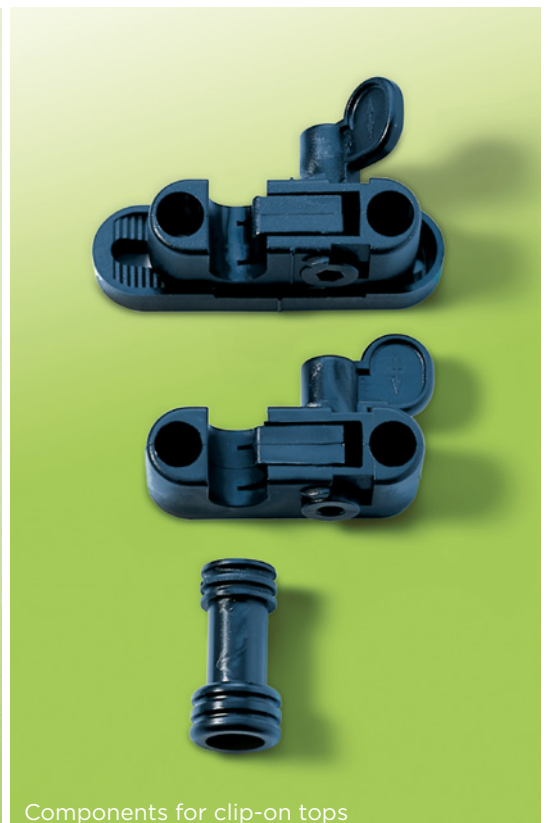
Sturdy locking mechanism for the safe handling of office desk systems.

- ① Castors (mounted on the desktop)
- ② Locking sockets (inserted in the desktop)
- ③ Desktop locking mechanism (mounted on the frame or welded on)

Quick-assembly components for worktops leveling for fixing the desktop to the base frame without tools.



Components for sliding tops



Components for clip-on tops



The TV100 desktop connector The modules fit together in any configuration because they are identical in construction.

Konrad Merkt GmbH
Max-Planck-Straße 30
78549 Spaichingen
Germany
T. +49 7424/7008-0
F. +49 7424/7008-33
info@merkt.de
www.merkt.de